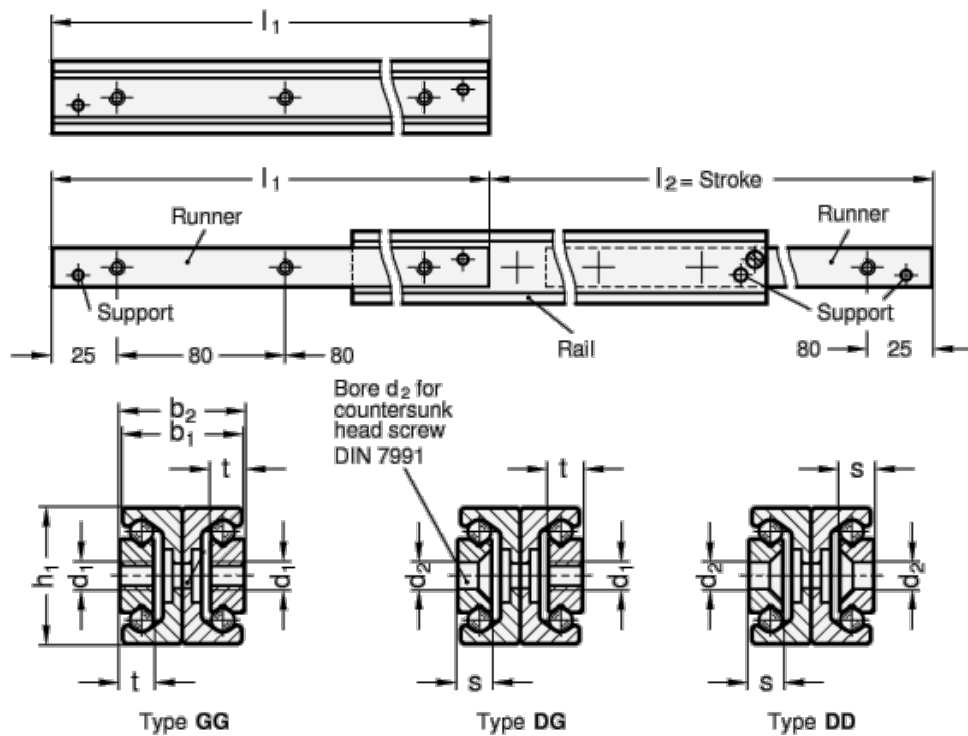


Article number: 20240828370DG

Description: E+G Telescope-Lear motion bearings GN 2408-28-370-DG

Measures



$b_1 = 24.6$
 $b_2 = 25.8$
 $d_1 = M5$
 $d_2 = 5.5$
 $h_1 = 28$
 $L_1 = 370 - 380$
 $s = 4$
 $t =$

Weight in (g) = 1630